

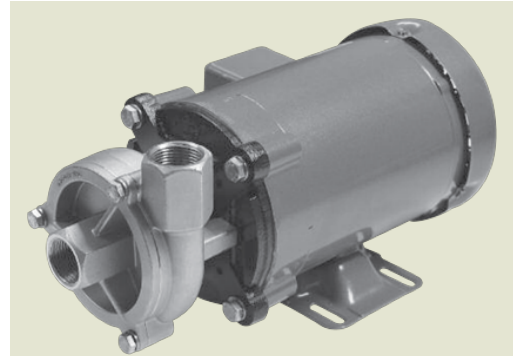


# CFX 100

## 1" x 1" End Suction Centrifugal Pump

The CFX 100 316 stainless steel centrifugal pump is ideal for hard-to-handle applications in the marine, commercial, and industrial markets.

All wetted components are 316 investment cast stainless steel providing superior corrosion resistance when pumping chemical compounds. A carbon / ceramic / Viton bellows shaft seal is standard with optional seals available on request. The CFX 100 model is available with 1" NPT port configurations. Pump rotation in 90° increments.

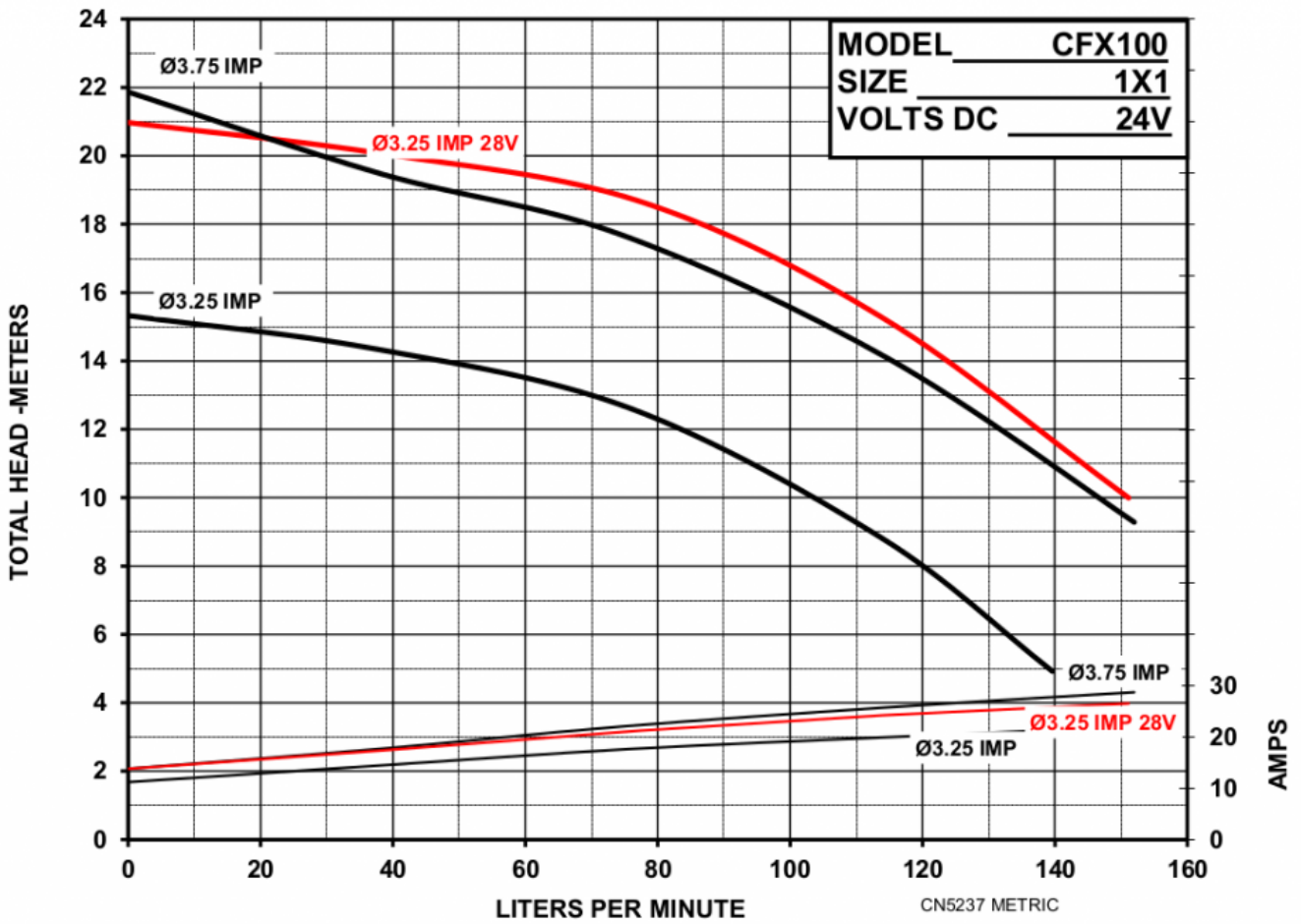


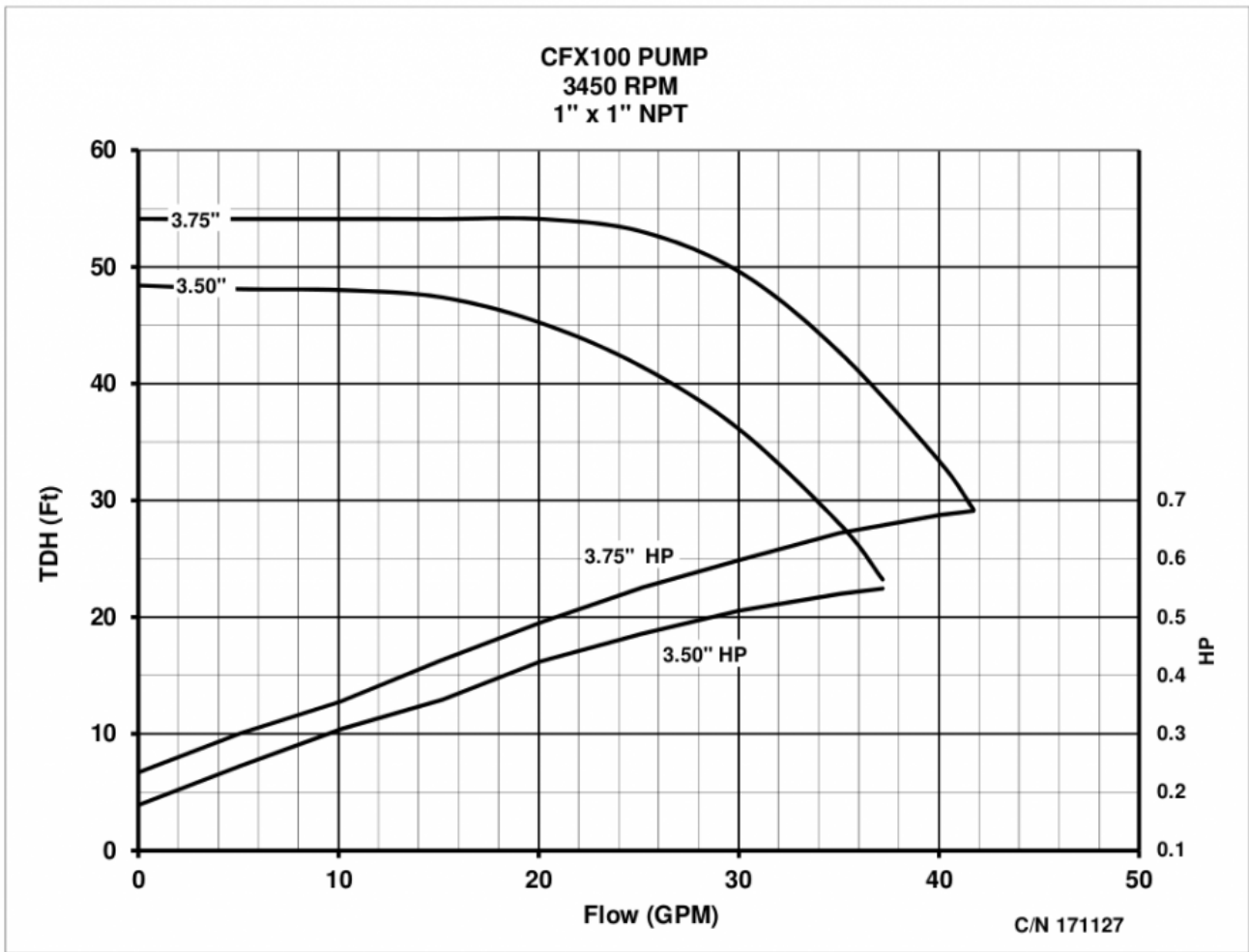
### SPECIFICATIONS:

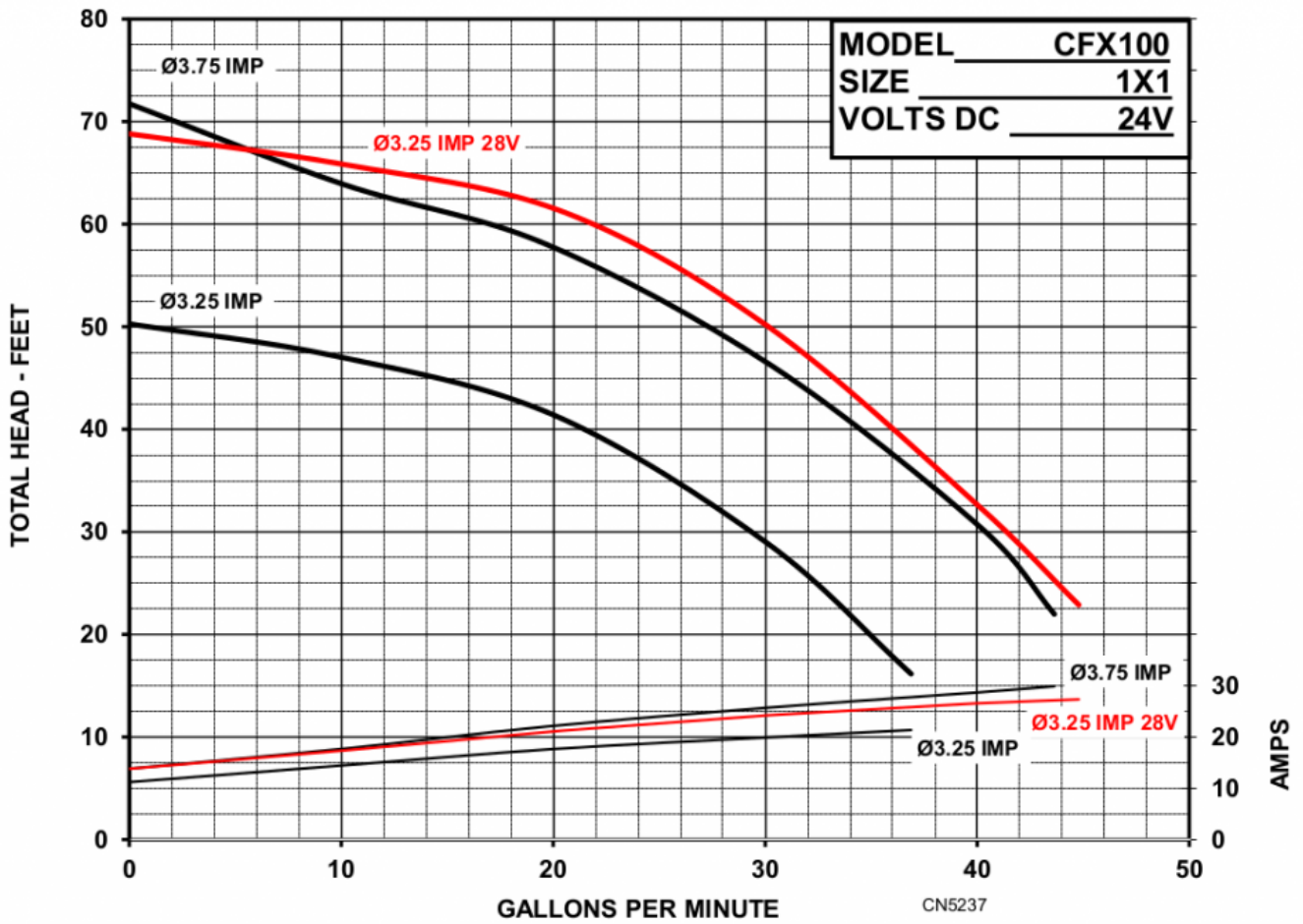
Suction And Discharge	1" NPT x 1" NPT
Materials Of Construction	316 stainless steel
Flow	Up to 40 GPM
Head Feet	Up to 54'
Impeller	3.75" 316 stainless steel
Drive Options	Close coupled 115V AC, Close coupled 230V AC, Close coupled 24V DC, Pedestal
Seal	Carbon / ceramic / Viton bellows 150 PSI, Special seals upon request

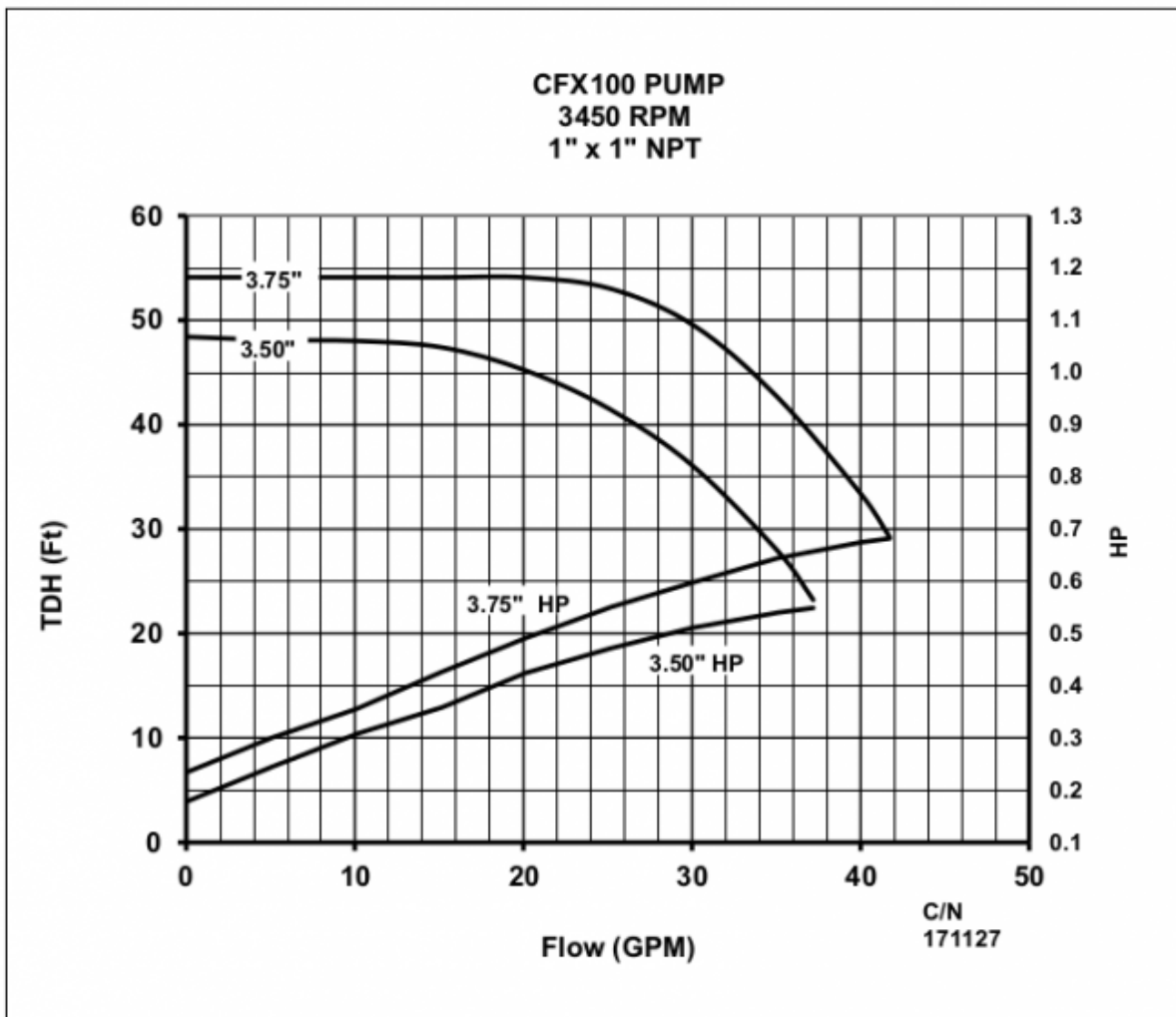
### Application

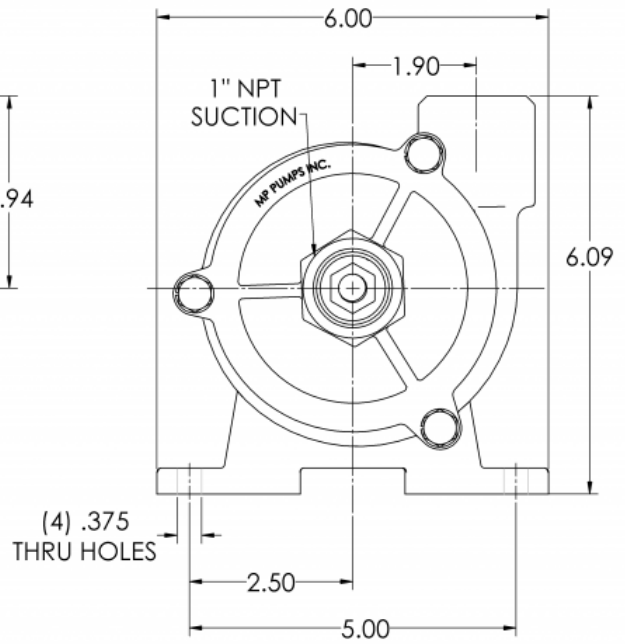
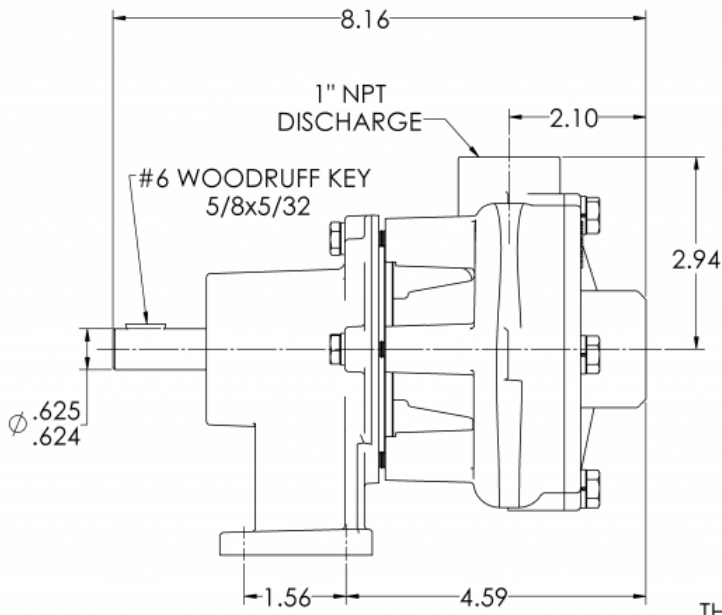
- Agricultural
- Commercial
- Industrial
- Marine



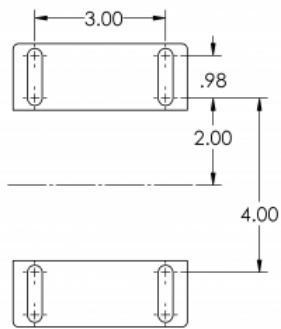
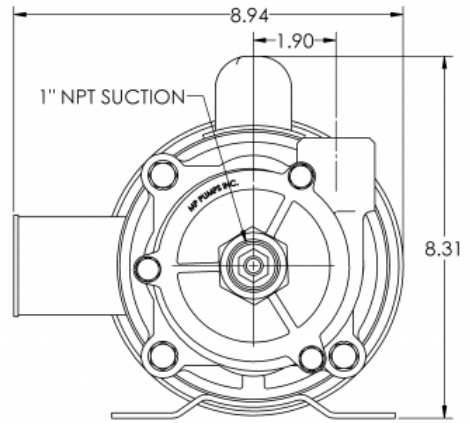
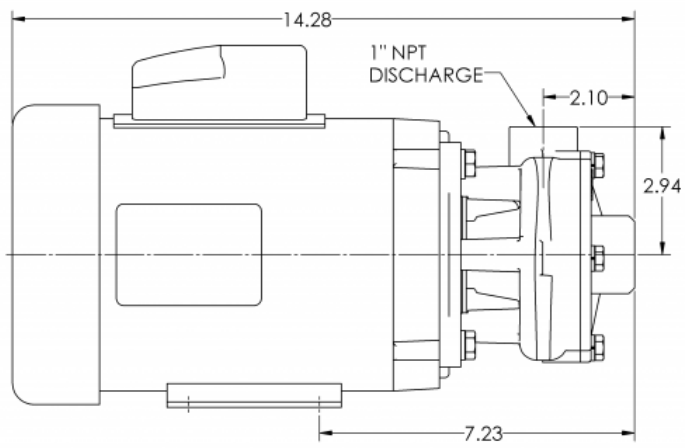




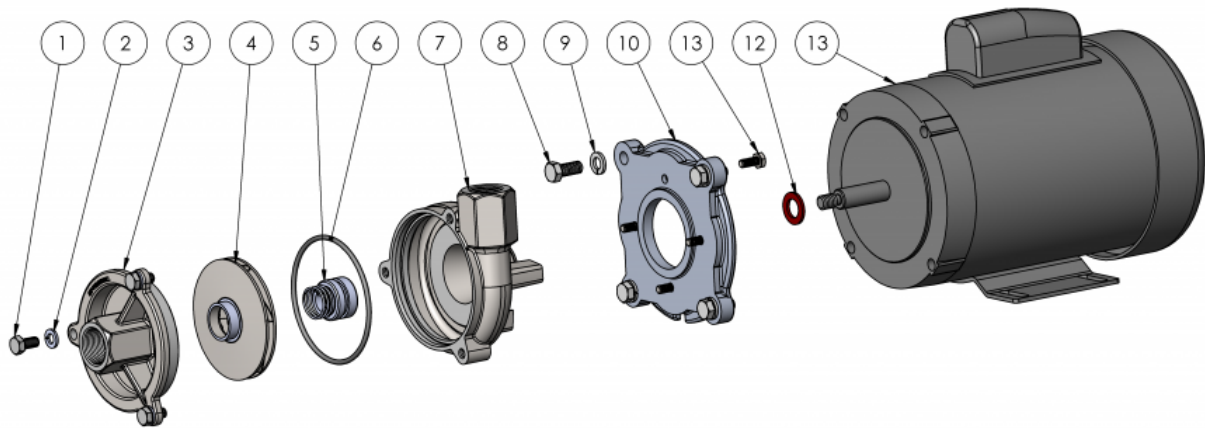




CFX 100 PEDESTAL



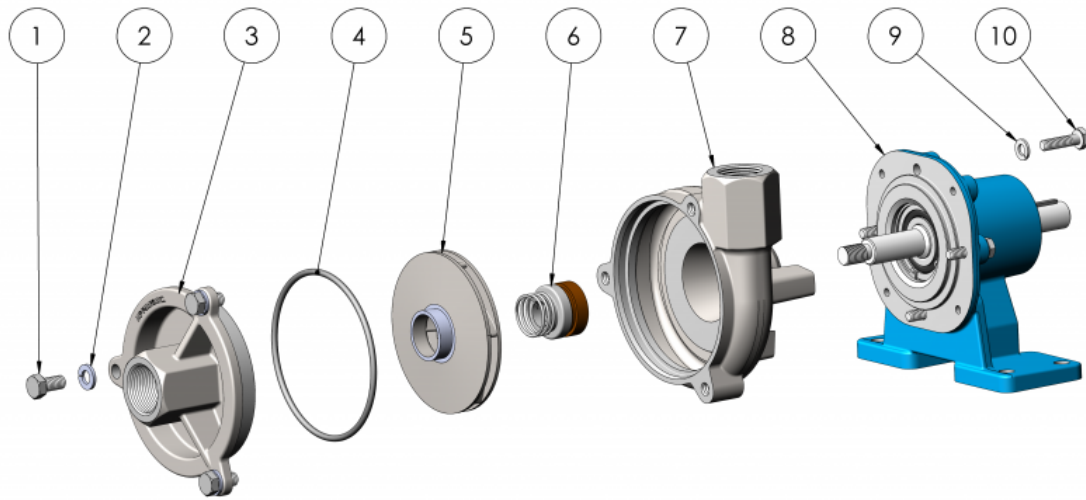
CFX100 WITH AC MOTOR



ITEM NO.	PART NUMBER	DESCRIPTION	MATERIAL	QTY.
1	34930	CAPSCREW: 5/16-18X5/8	SS 316	3
2	21238	LOCKWASHER 5/16 X 18	304 SS	3
3	34926	COVER	316 SS	1
4	35262	3.75Ø IMPELLER	316 SS	1
4	50645	3.50Ø IMPELLER	316 SS	1
4	36369	3.25Ø IMPELLER	316 SS	1
5	35052	SEAL ASY:5/8 T-21	CCS/VITON	1
5	35053	SEAL ASY:5/8 T-9	TEFLON	1
5	35687	SEAL ASY:5/8 T-21	CSC/VITON	1
6	33561	O-RING AS-568-240	VITON	1
6	38660	O-RING AS-568-240	EPDM	1
6	38669	O-RING AS-568-240	BUNA	1
7	34924	HOUSING	316 SS	1
8	21251	CAPSCREW: 3/8-16X7/8	304 SS	4
9	21266	LOCKWASHER 3/8 X 1/8	304 SS	4
10	34928	ADP PLT	ALU. 356 T-6 CAST	1
12	21435	SLINGER	NEO	1
13	35035	ELECTRIC MOTOR 56J	TEFC	1
13	35039	CAPSCREW 1/4-20X5/8	316 SS	4

CFX100 WITH AC MOTOR





CFX 100 PEDESTAL

ITEM NO.	PART NUMBER	DESCRIPTION	MATERIAL	QTY.
1	34930	CAPSCREW: 5/16-18X5/8	SS 316	3
2	21238	LOCKWASHER 5/16 X 18	304 SS	3
3	34926	COVER	316 SS	1
4	33561	O-RING AS-568-240	VITON	1
4	38660	O-RING AS-568-240	EPDM	1
4	38669	O-RING AS-568-240	BUNA	1
5	35262	3.75Ø IMPELLER	316 SS	1
5	50645	3.50Ø IMPELLER	316 SS	1
5	36369	3.25Ø IMPELLER	316 SS	1
6	35052	SEAL ASY:5/8 T-21	CCS/VITON	1
6	35053	SEAL ASY:5/8 T-9	TEFLON	1
6	35687	SEAL ASY:5/8 T-21	CSC/VITON	1
7	34924	HOUSING	316 SS	1
8	39547	PEDESTAL ASSEMBLY		1
9	33564	LOCKWASHER 1/4"	304 SS	4
10	33563	CAPSCREW 1/4-20X1	304 SS	4